



G-Series Spare Parts List

Contents:

GK420d.....pg. 2 - 3

GK420t.....pg. 4 - 5

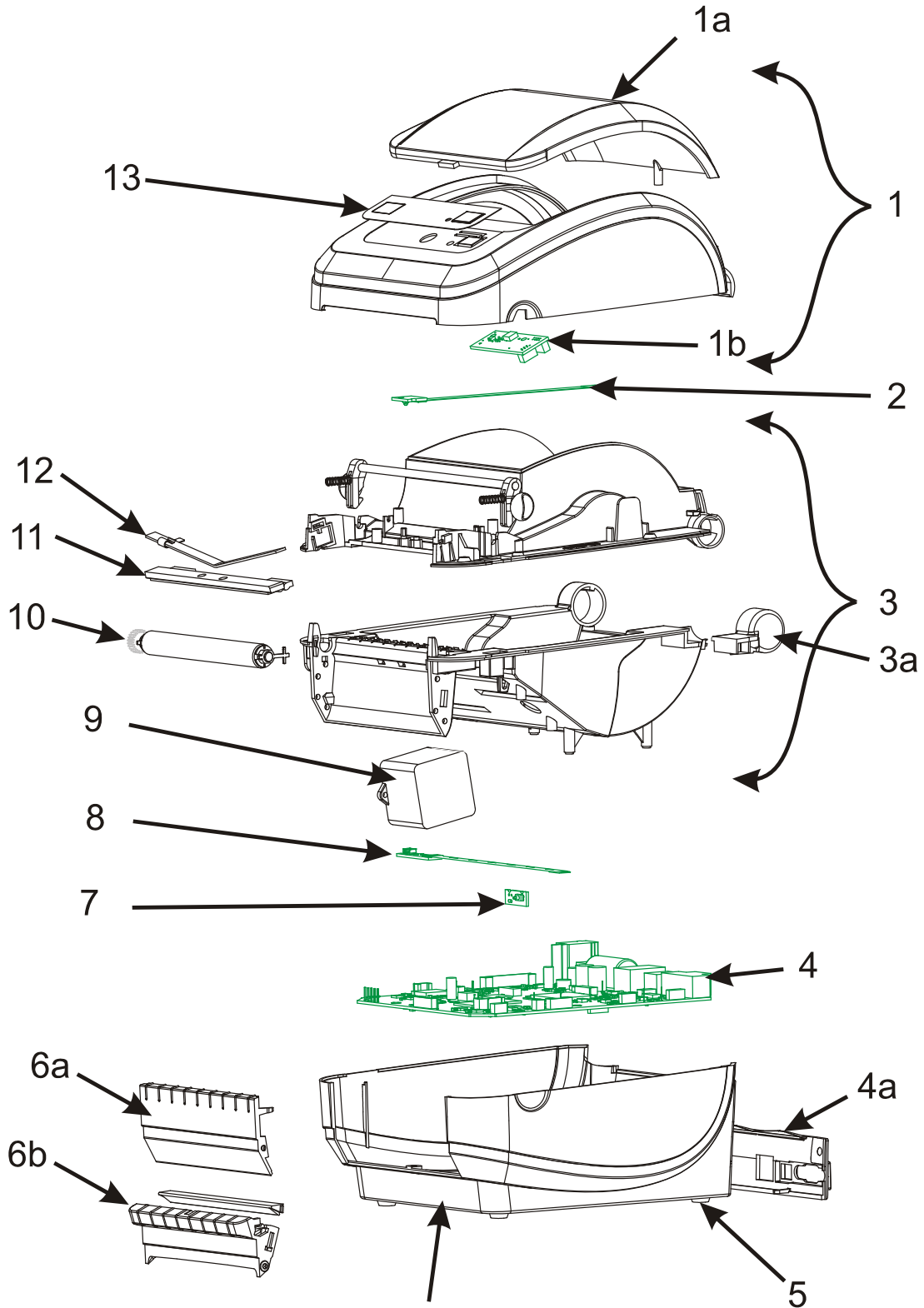
GX420d.....pg. 6 - 8

GX420t.....pg. 9 - 11

GX430t.....pg. 12 - 14



GK420d



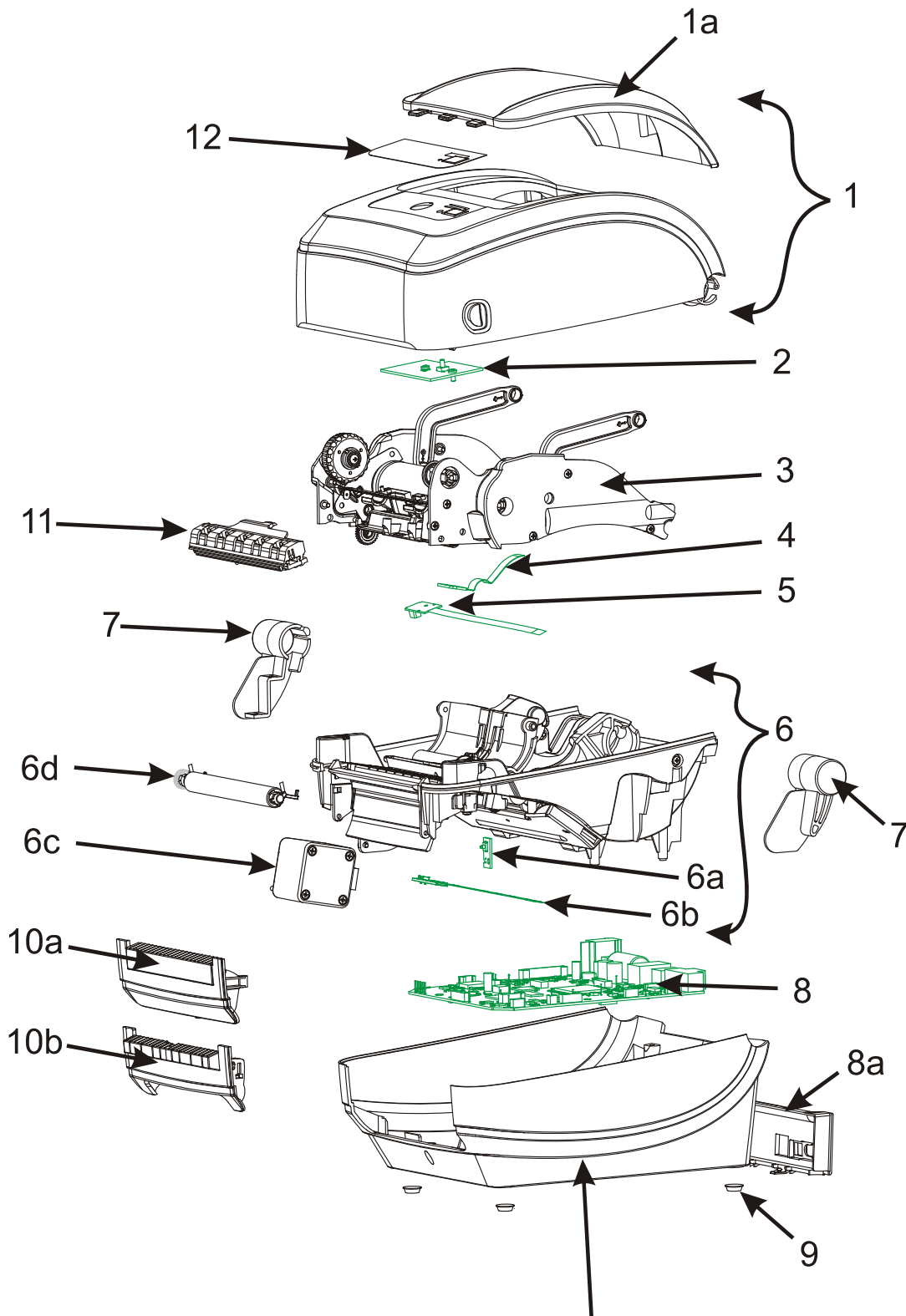
Note: the printer base is only available through the Zebra Repair Depot.

Spare Parts List Desktop Printers

GK420d

Item	Description	Part Number
1	Cover Assy (d) (includes Media Window)	105934-005
1a	Media Window (d)	105934-001
1b	Feed Switch (d)	105934-003
2	Upper Gap Sensor, Fixed (d)	105934-007
3	Print Mech. Fixed Snsr (d) (includes Hinge, Print Head Cables, Feed Switch Cable)	105934-011
3a	Cover Hinge (d)	105934-047
4	GK Main Logic Board, USB/Serial	105934-070
4a	Back Panel, USB/Serial (d)	105934-071
4	GK Main Logic Board, USB/Ethernet	105934-073
4a	Back Panel, USB/Ethernet (d)	105934-074
	Interface Fuse, 1A	105934-076
5	Rubber Foot (set of 4)	105934-024
6a	Front Bezel, Std (d)	105934-025
6b	Front Bezel, Dispenser (d)	105934-026
7	Head Up Sensor (d)	105934-041
8	Gap/Blackline Sensor, Fixed (d)	105934-043
9	Motor Assy., 203dpi	105934-022
10	Platen, Std (d)	105934-034
	Platen Bearings (d)	105934-059
11	Printhead, 203dpi (d)	105934-037
12	Printhead Spring/Clip (d)	105934-040
13	Nameplate, GK420d	105934-060
Not Shown	Shipping Pack (d)	105934-050
	Users CD-ROM	105934-052
	Power Supply, 70W C13 with US & Euro Cords	105934-053
	Power Cord, 120V US C13 (set of 5)	105950-014
	Power Cord, 220V Euro C13 (set of 5)	105950-015
	Power Cord, 240V UK,C13 (set of 5)	105950-030
	Power Cord, 240V AUS C13 (set of 5)	105950-029
	Power Cord, 220V China C13 (set of 5)	105950-078
	Power Cord, 125V Japan C13 (set of 5)	105950-079
	Power Cord, 220V Argentina C13 (set of 5)	105950-080
	CD-ROM, Service, G-Series	105934-087

GK420t



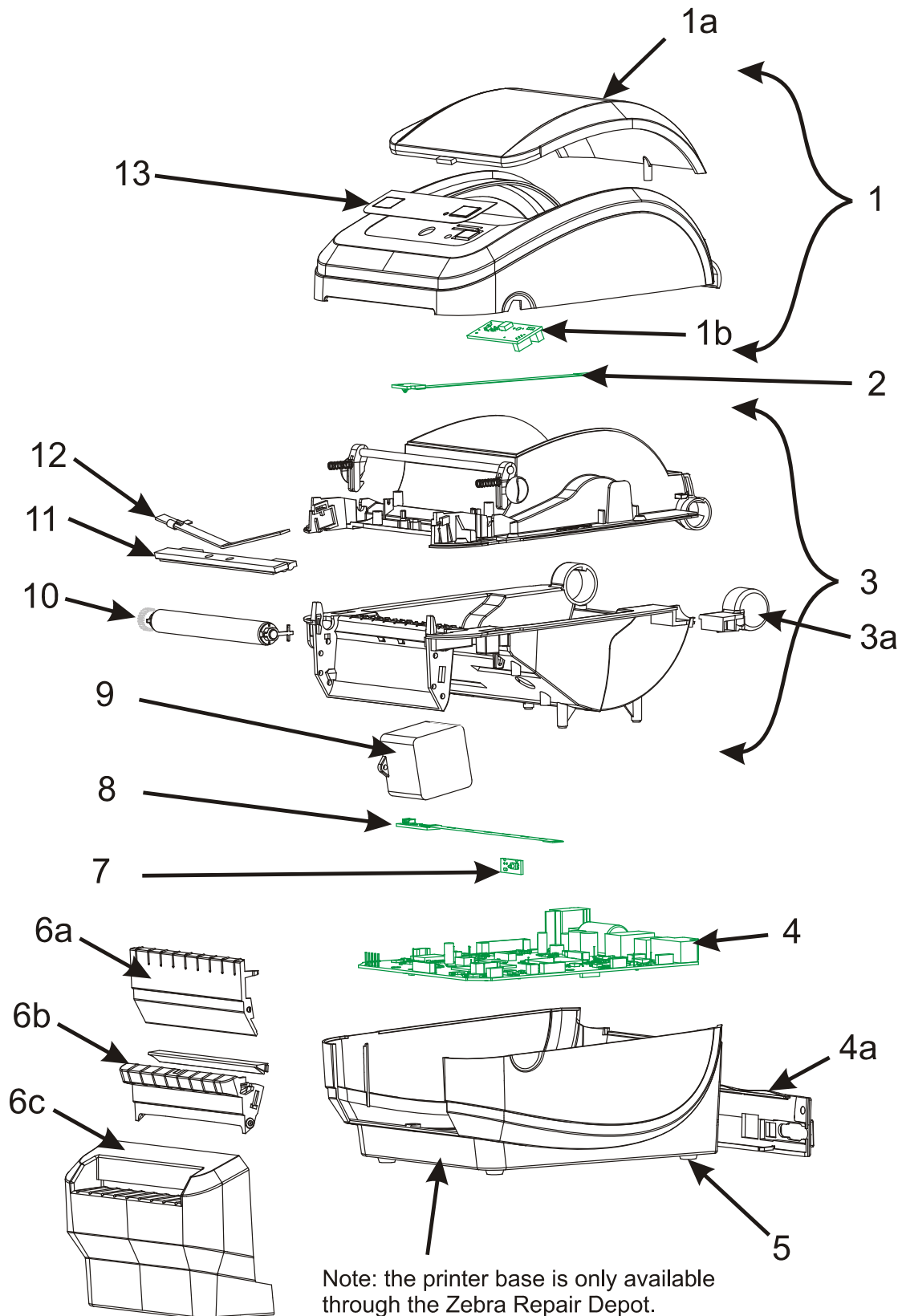
Note: the printer base is only available through the Zebra Repair Depot.

Spare Parts List Desktop Printers

GK420t

Item	Description	Part Number
1	Cover Assy (t) (includes Media Window)	105934-006
1a	Media Window (t)	105934-002
2	Feed Switch (t)	105934-004
3	Ribbon Carriage, 203 dpi	105934-017
4	Upper Gap Sensor, Fixed (t)	105934-009
5	Ribbon Out Sensor (t)	105934-046
6	Prnt Mech Fxd Snsr,200(TT) inc Gap/Blkln Snsr, Motor, Pltn, Head Up Snsr	105934-111
6b	Gap/Blackline Sensor, Fixed (t)	105934-045
6a	Head Up Sensor (t)	105934-042
6c	Motor Assy., 203dpi (t)	105934-058
6d	Platen, Std (t)	105934-035
	Platen Bearings (t)	105934-099
7	Cover Hinge R&L (t)	105934-048
8	GK Main Logic Board, USB/Serial	105934-070
8a	Back Panel, USB/Serial (t)	105934-072
8	GK Main Logic Board, USB/Ethernet	105934-073
8a	Back Panel, USB/Ethernet (t)	105934-075
	Interface Fuse, 1A	105934-076
9	Rubber Foot (set of 4)	105934-024
10a	Front Bezel, Std (t)	105934-030
10b	Front Bezel, Dispenser (t)	105934-031
11	Printhead, 203dpi (t)	105934-038
12	Nameplate, GK420t	105934-061
Not Shown	Shipping Pack (t)	105934-051
	Users CD-ROM	105934-052
	Power Supply, 70W C13 with US & Euro Cords	105934-053
	Power Cord, 120V US C13 (set of 5)	105950-014
	Power Cord, 220V Euro C13 (set of 5)	105950-015
	Power Cord, 240V UK,C13 (set of 5)	105950-030
	Power Cord, 240V AUS C13 (set of 5)	105950-029
	Power Cord, 220V China C13 (set of 5)	105950-078
	Power Cord, 125V Japan C13 (set of 5)	105950-079
	Power Cord, 220V Argentina C13 (set of 5)	105950-080
	CD-ROM, Service, G-Series	105934-087

GX420d



Spare Parts List Desktop Printers

GX420d

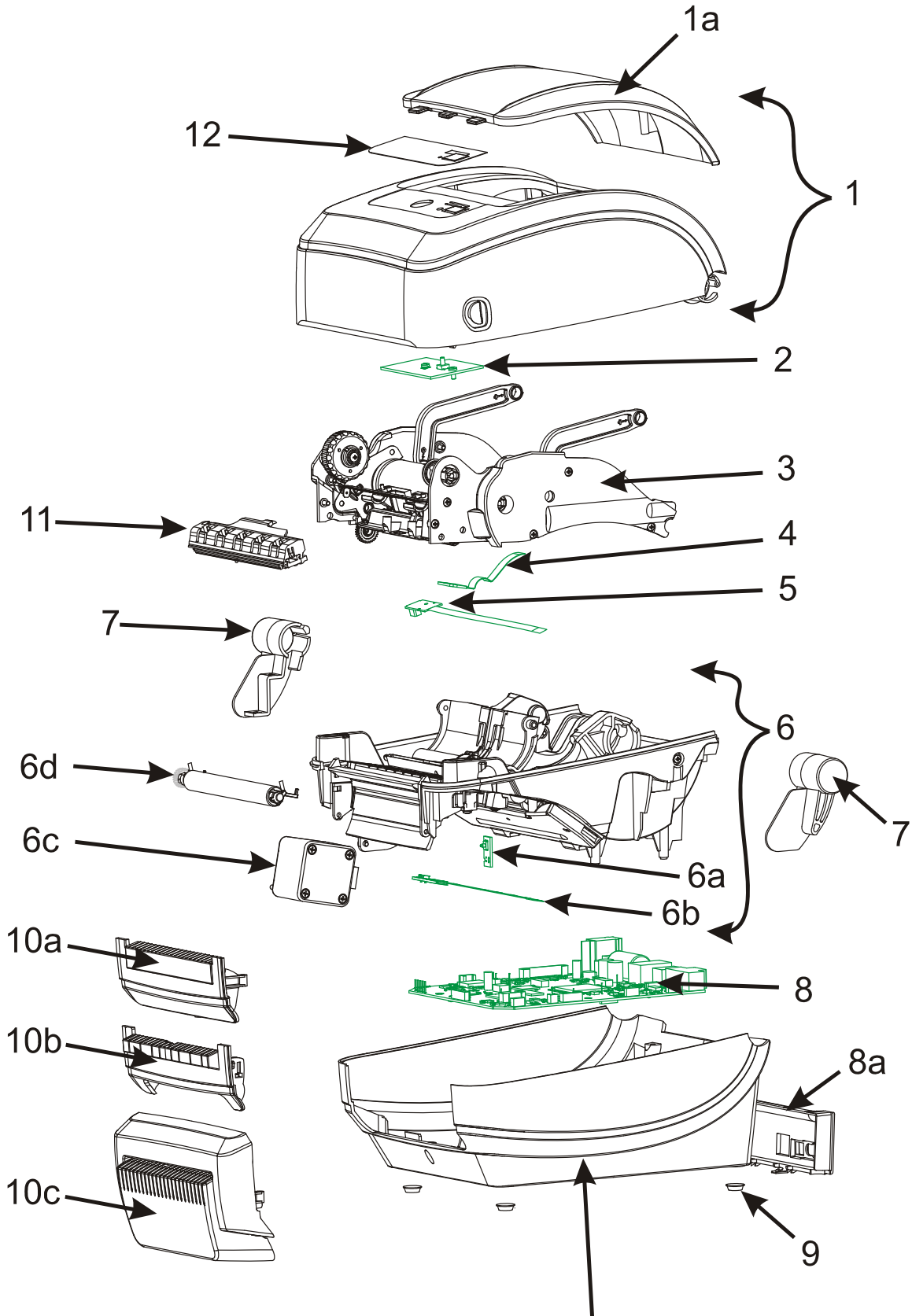
Item	Description	Part Number
1	Cover Assy (d) (includes Media Window)	105934-005
	Cover Assy w/cutter (Direct Thermal)	105934-108
	Cover Assy w/cutter, wireless (Direct Thermal)	105934-109
	LCD Cover Assy (d) (includes Media Window)	105934-049
1a	Media Window (d)	105934-001
1b	Feed Switch (d)	105934-003
	LCD Display/Feed Switch (with Bluetooth Wireless)	105934-056
	LCD Display/Feed Switch (with 802.11g Wireless)	105934-057
2	Upper Gap Sensor, Fixed (d)	105934-007
2	Upper Gap Sensor, Movable (d)	105934-008
3	Print Mech. Fixed Sensor (d) (includes Hinge, Print Head Cables, Feed Switch Cable)	105934-011
3	Print Mech. Movable Sensor (d) (includes Hinge, Print Head Cables, Feed Switch Cable)	105934-012
3a	Cover Hinge (d)	105934-047
4	GX Main Logic Board, USB/Serial/Parallel, ZBI	105934-080
4	GX Main Logic Board, USB/Serial/Parallel, 64MB, RTC, ZBI	105934-081
4	GX MLB, USB/Serial/Parallel, 64MB, RTC, 200DPI, Liner Tag Cutter, ZBI	105934-107
4a	Back Panel, USB/Serial/Parallel (d)	105934-082
4	GX Main Logic Board, USB/Serial/Ethernet, ZBI	105934-084
4	GX Main Logic Board, USB/Serial/Ethernet, 64MB, RTC, 200DPI, ZBI	105934-113
4	GX MLB, USB/Serial/Ethernet, 64MB, RTC, 200DPI, Liner Tag Cutter, ZBI	105934-105
4a	Back Panel, USB/Serial/Ethernet (d)	105934-086
4	GX Main Logic Board, USB/Serial/802.11g Wireless 64MB, 200 dpi, ZBI	105934-114
4	GX Main Logic Board, USB/Serial/Bluetooth Wireless 64MB, 200 dpi, ZBI	105934-115
4	GX MLB, USB/Serial/802.11g Wireless, 64MB, 200DPI, Liner Tag cutter, ZBI	105934-101
4	GX MLB, USB/Serial/Bluetooth Wireless, 64MB, 200DPI, Liner Tag Cutter, ZBI	105934-103
4a	Back Panel, USB/Serial/Wireless (d)	105934-089
	Interface Fuse, 1A	105934-076
	Battery, 3V Lithium (set of 10)	G105950-003
5	Rubber Foot (set of 4)	105934-024
6a	Front Bezel, Std (d)	105934-025
6b	Front Bezel, Dispenser (d)	105934-026
6c	Light Duty Cutter (Direct Thermal)	105934-027
6c	Medium Duty Partial Cut Cutter (Direct Thermal)	105934-028
6c	Medium Duty Liner Free Cutter (Direct Thermal)	105934-055
6c	Medium Duty Cutter (d)	105934-029
7	Head Up Sensor (d)	105934-041
8	Gap/Blackline Sensor, Fixed (d)	105934-043
8	Gap/Blackline Sensor, Moveable	105934-044
9	Motor Assy., 203dpi	105934-022
10	Platen, Std (d)	105934-034
	Platen, Liner Free (d)	105934-036
	Platen Bearings (d)	105934-059
11	Printhead, 203dpi (d)	105934-037

***Spare Parts List
Desktop Printers***

GX420d

Item	Description	Part Number
12	Printhead Spring/Clip (d)	105934-040
13	Nameplate, GX420d	105934-062
	Nameplate, GX420d with LCD	105934-067
Not Shown	Shipping Pack (d)	105934-050
	Users CD-ROM	105934-052
	Power Supply, 100W C13 with US & Euro Cords	105934-054
	Power Cord, 120V US C13 (set of 5)	105950-014
	Power Cord, 220V Euro C13 (set of 5)	105950-015
	Power Cord, 240V UK,C13 (set of 5)	105950-030
	Power Cord, 240V AUS C13 (set of 5)	105950-029
	Power Cord, 220V China C13 (set of 5)	105950-078
	Power Cord, 125V Japan C13 (set of 5)	105950-079
	Power Cord, 220V Argentina C13 (set of 5)	105950-080
	CD-ROM, Service, G-Series	105934-087

GX420t



Note: the printer base is only available through the Zebra Repair Depot.

Spare Parts List Desktop Printers

GX420t

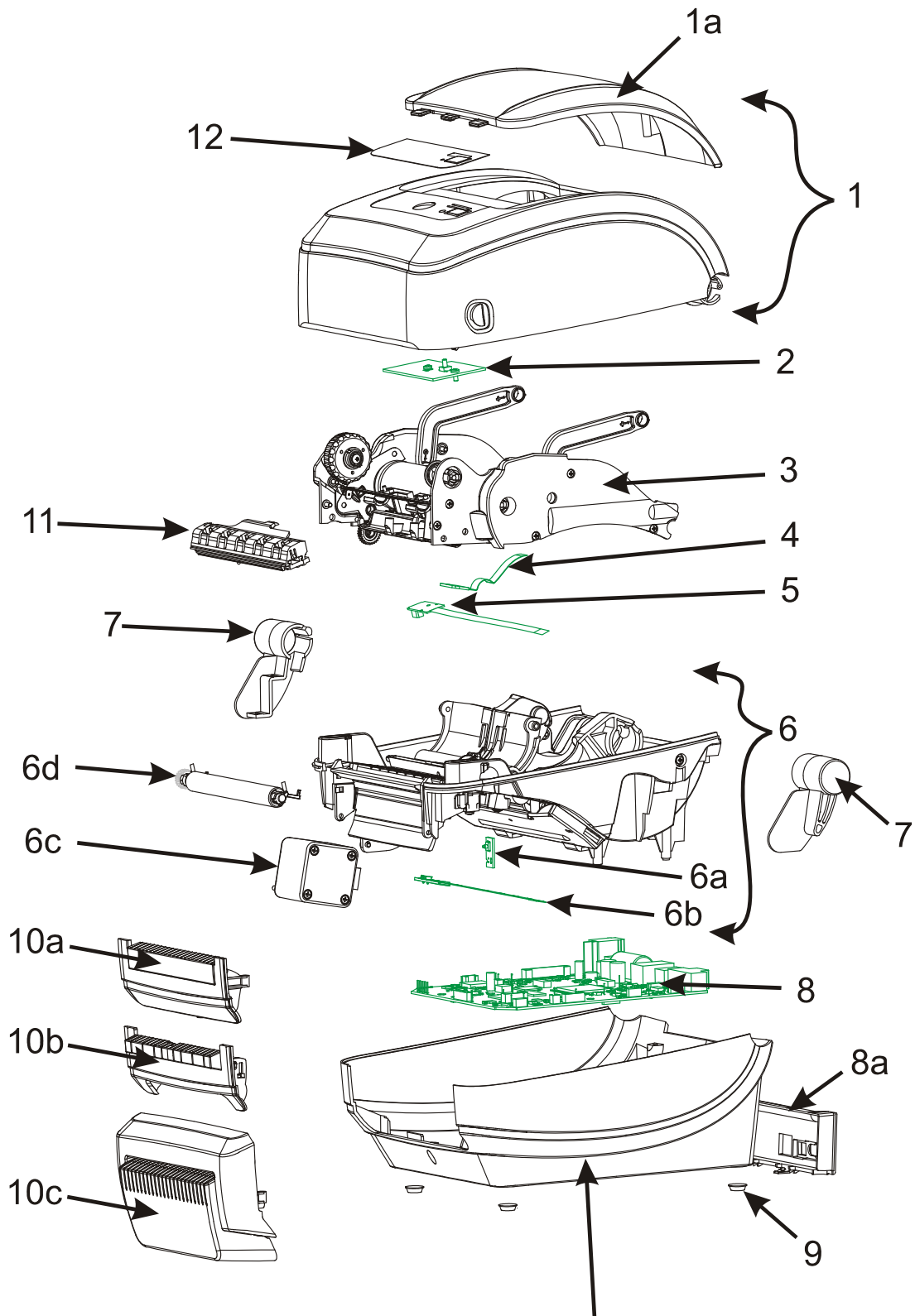
Item	Description	Part Number
1	Cover Assy (t) (includes Media Window)	105934-006
1a	Media Window (t)	105934-002
2	Feed Switch (t)	105934-004
	LCD Display/Feed Switch (with Bluetooth Wireless)	105934-056
	LCD Display/Feed Switch (with 802.11g Wireless)	105934-057
3	Ribbon Carriage, 203 dpi	105934-017
4	Upper Gap Sensor, Fixed (t)	105934-009
	Upper Gap Sensor, Movable (t)	105934-010
5	Ribbon Out Sensor (t)	105934-046
6	Prnt Mech Fxd Snsr,200(TT) inc Gap/Blkln Snsr, Motor, Pltn, Head Up Snsr	105934-111
6b	Gap/Blackline Sensor, Fixed (t)	105934-045
6	Print Mech. Moveable Sensor (t) inc. Gap/Blackline Snsr, Motor, Platen, Head Up Snsr	105934-014
6b	Gap/Blackline Sensor, Moveable	105934-044
6a	Head Up Sensor (t)	105934-042
6c	Motor Assy., 203dpi (t)	105934-058
6d	Platen, Std (t)	105934-035
	Platen Bearings (t)	105934-099
7	Cover Hinge R&L (t)	105934-048
8	GX Main Logic Board, USB/Serial/Parallel, ZBI	105934-080
8	GX Main Logic Board, USB/Serial/Parallel, 64MB, RTC, ZBI	105934-081
8	GX MLB, USB/Serial/Parallel, 64MB, RTC, 200DPI, Liner Tag Cutter, ZBI	105934-107
8a	Back Panel, USB/Serial/Parallel (t)	105934-083
8	GX Main Logic Board, USB/Serial/Ethernet, ZBI	105934-084
8	GX Main Logic Board, USB/Serial/Ethernet, 64MB, RTC, 200DPI, ZBI	105934-113
8	GX MLB, USB/Serial/Ethernet, 64MB, RTC,200DPI, Liner Tag Cutter, ZBI	105934-105
8a	Back Panel, USB/Serial/Ethernet (t)	105934-087
8	GX Main Logic Board, USB/Serial/802.11g Wireless 64MB, 200 dpi, ZBI	105934-114
8	GX Main Logic Board, USB/Serial/Bluetooth Wireless 64MB, 200 dpi, ZBI	105934-115
8	GX MLB, USB/Serial/802.11g Wireless, 64MB,200DPI,Liner Tag cutter, ZBI	105934-101
8	GX MLB, USB/Serial/Bluetooth Wireless,64MB, 200DPI,Liner Tag Cutter, ZBI	105934-103
8a	Back Panel, USB/Serial/Wireless (t)	105934-090
	Interface Fuse, 1A	105934-076
	Battery, 3V Lithium (set of 10)	G105950-003
9	Rubber Foot (set of 4)	105934-024
10a	Front Bezel, Std (t)	105934-030
10b	Front Bezel, Dispenser (t)	105934-031
10c	Light Duty Cutter (t)	105934-032
10c	Medium Duty Partial Cut Cutter (t)	105934-110
10c	Medium Duty Cutter (t)	105934-033
11	Printhead, 203dpi (t)	105934-038
12	Nameplate, GX420t	105934-063
	Nameplate, GX420t with LCD	105934-068

*Spare Parts List
Desktop Printers*

GX420t

Item	Description	Part Number
Not Shown	Shipping Pack (t)	105934-051
	Users CD-ROM	105934-052
	Power Supply, 100W C13 with US & Euro Cords	105934-054
	Power Cord, 120V US C13 (set of 5)	105950-014
	Power Cord, 220V Euro C13 (set of 5)	105950-015
	Power Cord, 240V UK,C13 (set of 5)	105950-030
	Power Cord, 240V AUS C13 (set of 5)	105950-029
	Power Cord, 220V China C13 (set of 5)	105950-078
	Power Cord, 125V Japan C13 (set of 5)	105950-079
	Power Cord, 220V Argentina C13 (set of 5)	105950-080
	CD-ROM, Service, G-Series	105934-087

GX430t



Note: the printer base is only available through the Zebra Repair Depot.

Spare Parts List Desktop Printers

GX430t

Item	Description	Part Number
1	Cover Assy (t) (includes Media Window)	105934-006
1a	Media Window (t)	105934-002
2	Feed Switch (t)	105934-004
	LCD Display/Feed Switch (with Bluetooth Wireless)	105934-056
	LCD Display/Feed Switch (with 802.11g Wireless)	105934-057
3	Ribbon Carriage, 300 dpi	105934-018
4	Upper Gap Sensor, Fixed (t)	105934-009
	Upper Gap Sensor, Movable (t)	105934-010
5	Ribbon Out Sensor (t)	105934-046
6	Print Mech. Fixed Sensor, 300 dpi (t) inc. Gap/Blackline Sensor, Motor, Platen, Head Up Sensor	105934-112
6b	Gap/Blackline Sensor, Fixed (t)	105934-045
6	Print Mech. Moveable Sensor, 300 dpi (t) inc. Gap/Blackline Sensor, Motor, Platen, Head Up Snsr	105934-016
6b	Gap/Blackline Sensor, Moveable	105934-044
6a	Head Up Sensor (t)	105934-042
6c	Motor Assy., 300dpi	105934-023
6d	Platen, Std (t)	105934-035
	Platen Bearings (t)	105934-099
7	Cover Hinge R&L (t)	105934-048
8	GX Main Logic Board, USB/Serial/Parallel, 300 dpi, ZBI	105934-093
8	GX Main Logic Board, USB/Serial/Parallel, 64MB, RTC, ZBI	105934-094
8	GX MLB, USB/Serial/Parallel, 64MB, RTC, 300 dpi, Liner Tag Cutter, ZBI	05934-106
8a	Back Panel, USB/Serial/Parallel (t)	105934-083
8	GX Main Logic Board, USB/Serial/Ethernet, 300 dpi, ZBI	105934-095
8	GX Main Logic Board, USB/Serial/Ethernet, 64MB, RTC, 300 dpi, ZBI	105934-096
8	GX MLB, USB/Serial/Ethernet, 64MB, RTC, 300 dpi, Liner Tag Cutter, ZBI	105934-104
8a	Back Panel, USB/Serial/Ethernet (t)	105934-087
8	GX Main Logic Board, USB/Serial/802.11g Wireless, 64MB, 300 dpi, ZBI	105934-097
8	GX Main Logic Board, USB/Serial/Bluetooth Wireless, 64MB, 300 dpi, ZBI	105934-098
8	GX MLB, USB/Serial/802.11g Wireless, 64MB, 300 dpi, Liner Tag Cutter, ZBI	105934-100
8	GX MLB, USB/Serial/Bluetooth Wireless, 64MB,300 dpi, Liner Tag Cutter, ZBI	105934-102
8a	Back Panel, USB/Serial/Wireless (t)	105934-090
	Interface Fuse, 1A	105934-076
	Battery, 3V Lithium (set of 10)	G105950-003
9	Rubber Foot (set of 4)	105934-024
10a	Front Bezel, Std (t)	105934-030
10b	Front Bezel, Dispenser (t)	105934-031
10c	Med Duty Partial Cutter (t)	105934-110
10c	Light Duty Cutter (t)	105934-032
10c	Medium Duty Cutter (t)	105934-033
11	Printhead, 300dpi (t)	105934-039
12	Nameplate, GX430t	105934-064
	Nameplate, GX430t with LCD	105934-069

*Spare Parts List
Desktop Printers*

GX430t

Item	Description	Part Number
Not Shown	Shipping Pack (t)	105934-051
	Users CD-ROM	105934-052
	Power Supply, 100W C13 with US & Euro Cords	105934-054
	Power Cord, 120V US C13 (set of 5)	105950-014
	Power Cord, 220V Euro C13 (set of 5)	105950-015
	Power Cord, 240V UK,C13 (set of 5)	105950-030
	Power Cord, 240V AUS C13 (set of 5)	105950-029
	Power Cord, 220V China C13 (set of 5)	105950-078
	Power Cord, 125V Japan C13 (set of 5)	105950-079
	Power Cord, 220V Argentina C13 (set of 5)	105950-080
	CD-ROM, Service, G-Series	105950-087