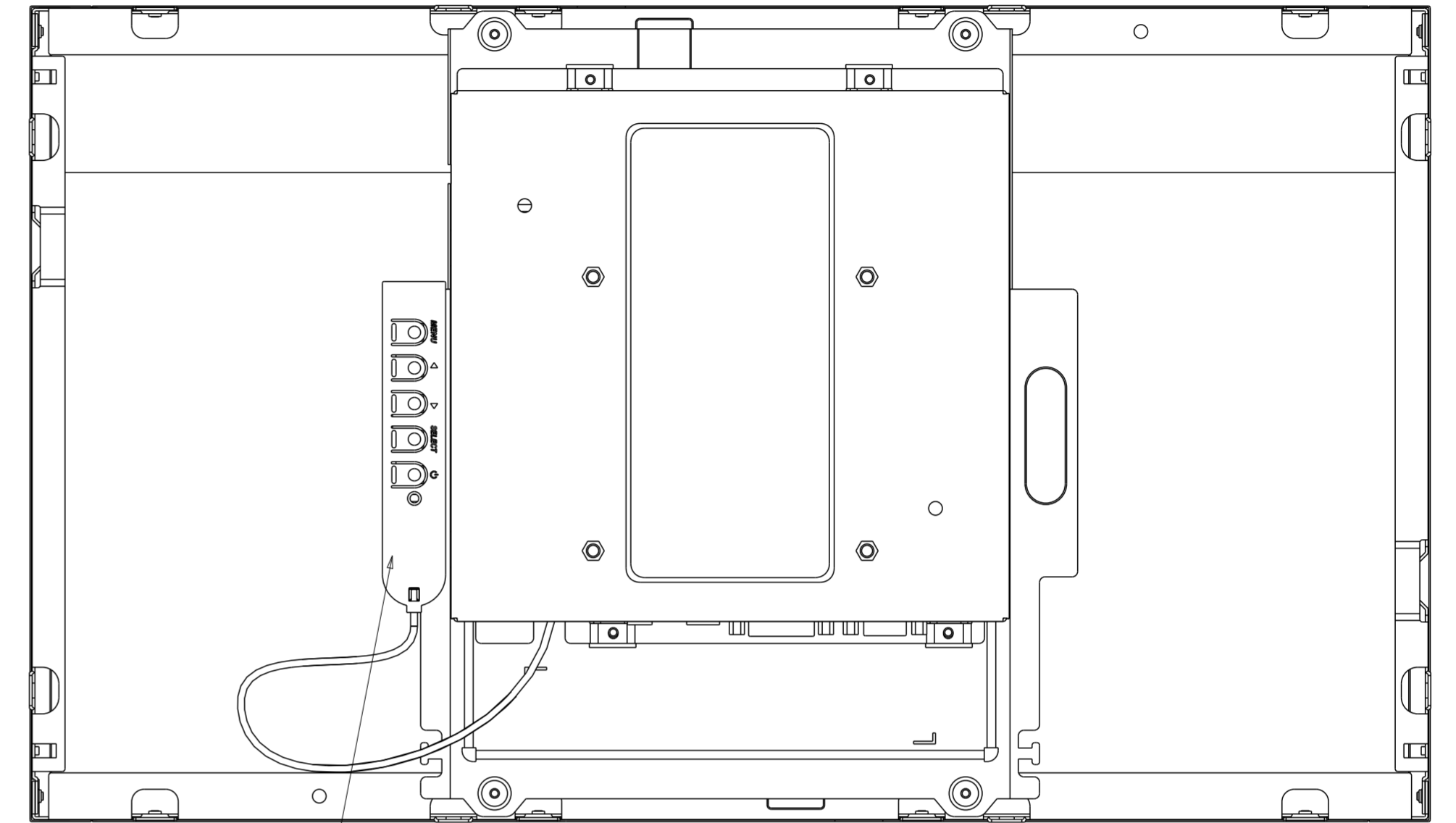
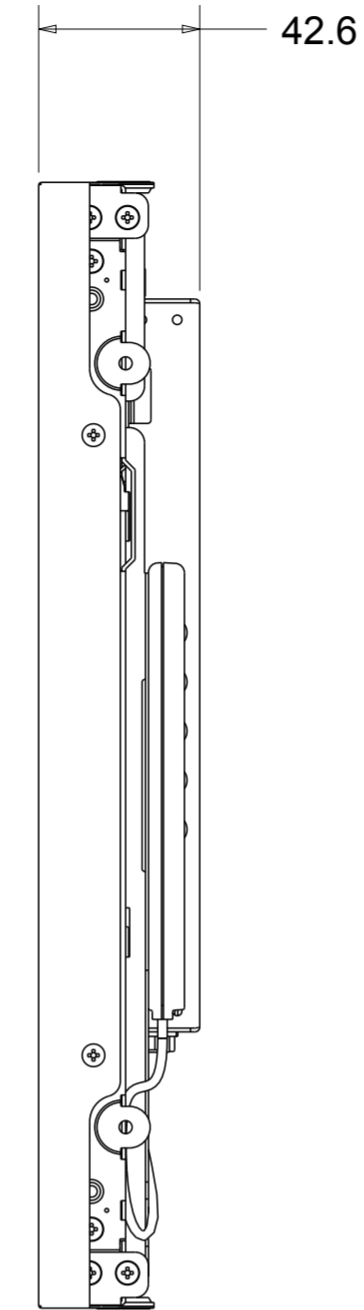
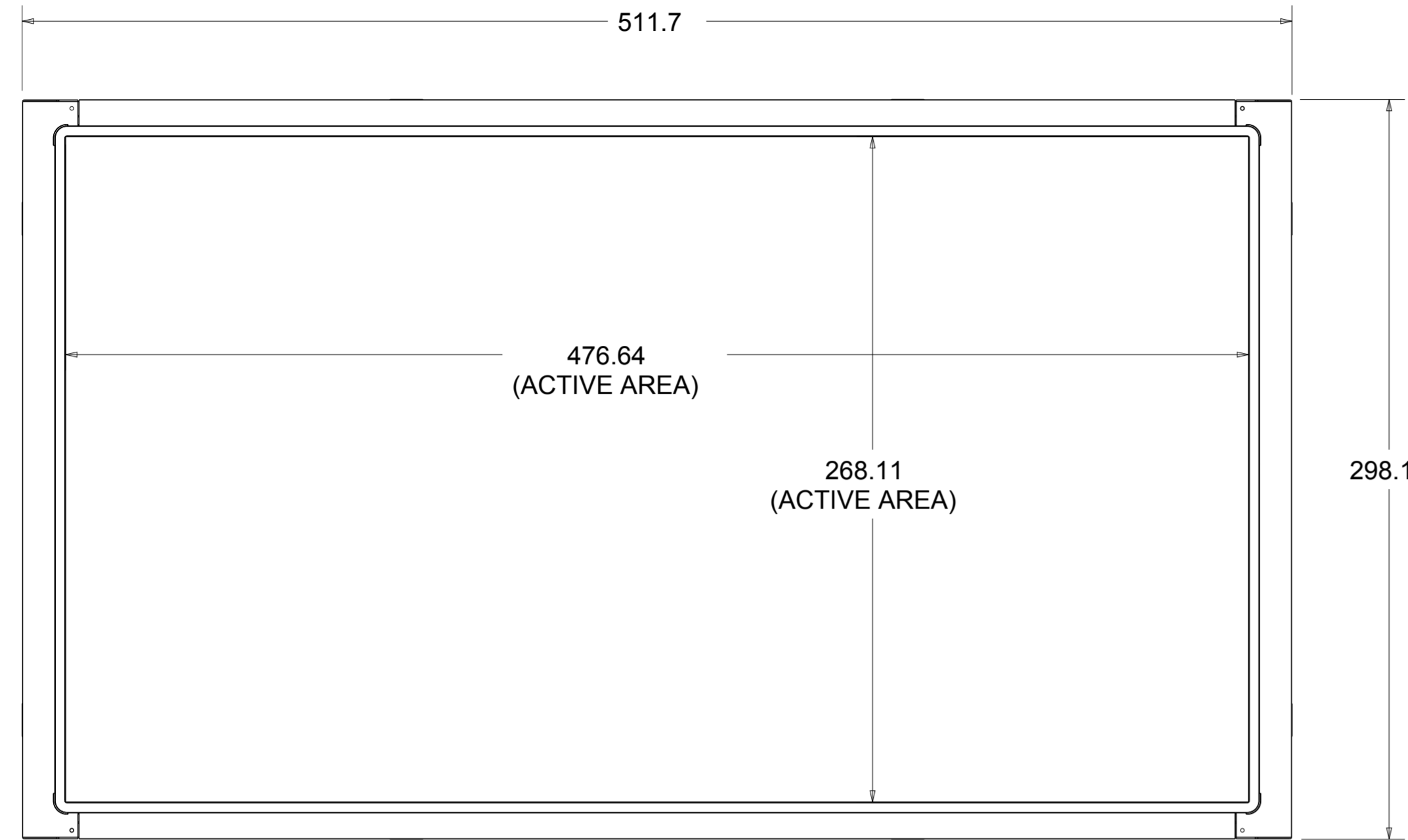
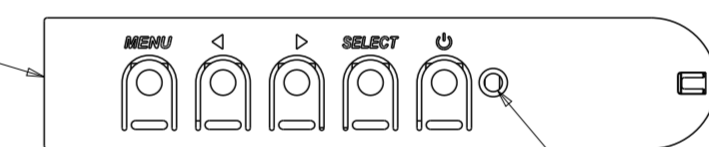


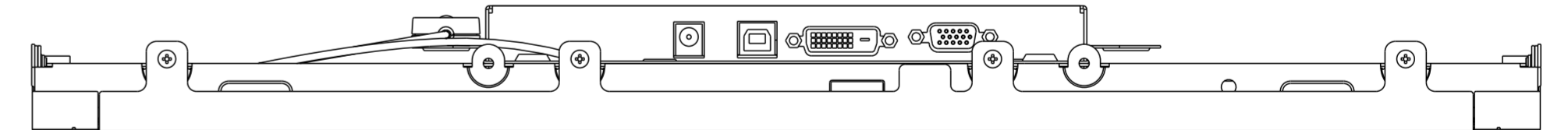
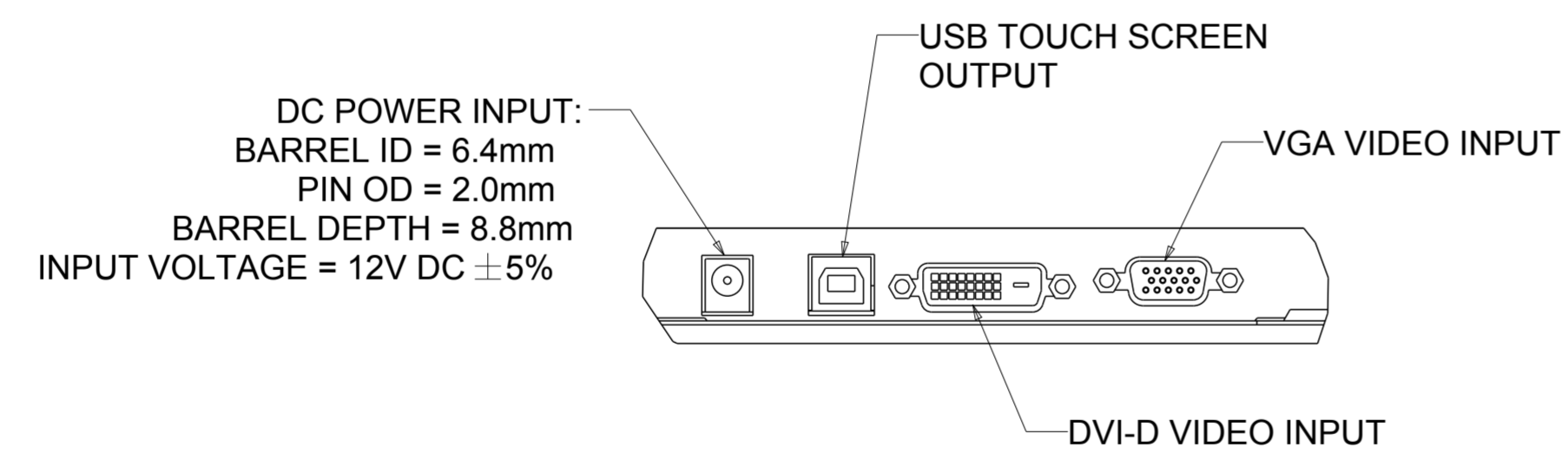
NOTE:
ALL DIMS. +/- 1mm UNLESS NOTED

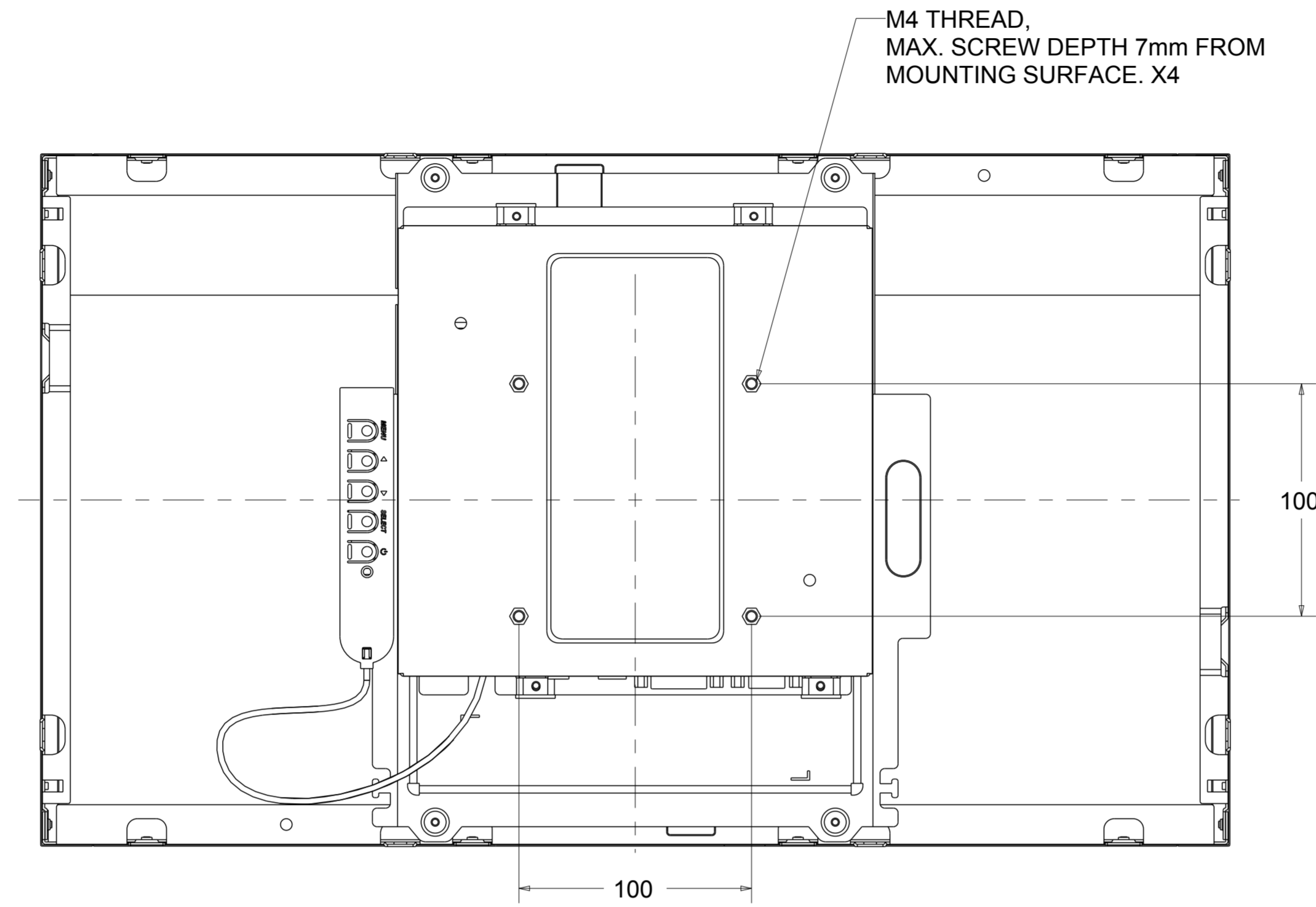


OSD CONTROL WITH MAGNETIC ATTACHMENT;
CABLE LENGTH = 280mm

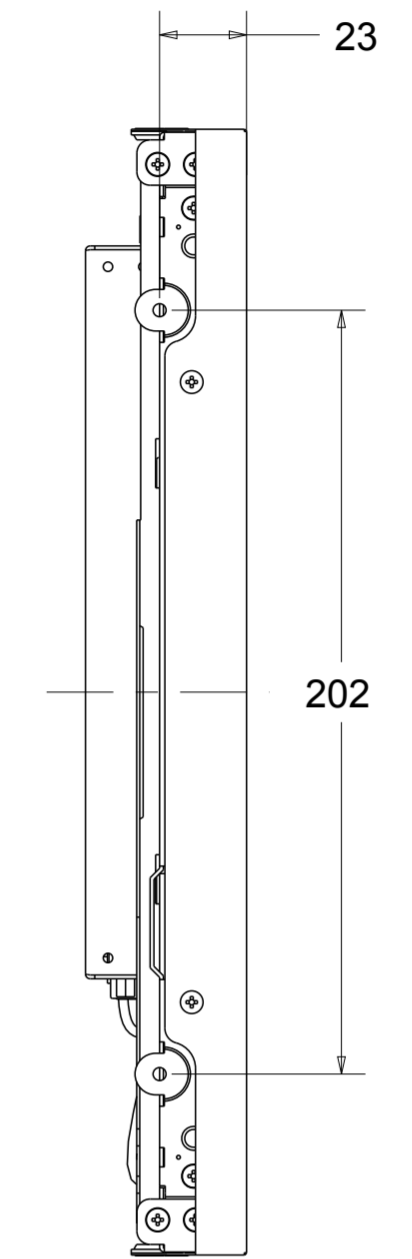


POWER STATUS LED

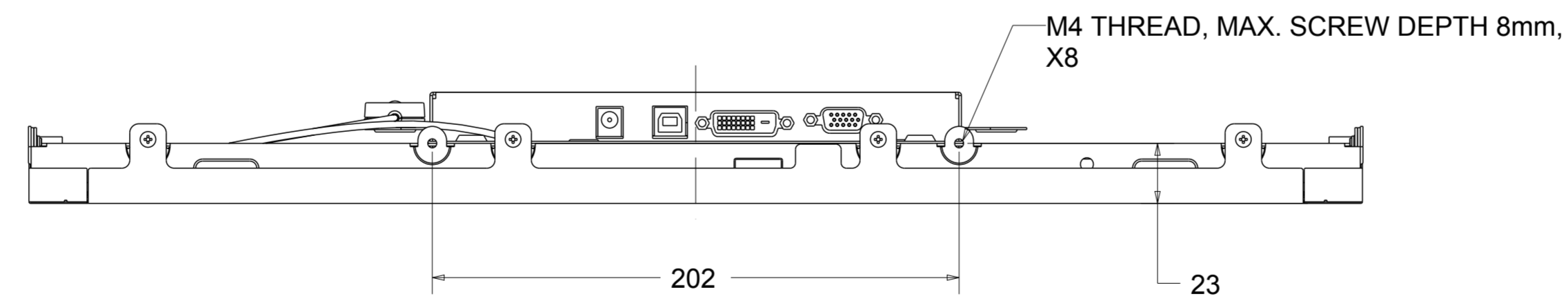




VESA MOUNT

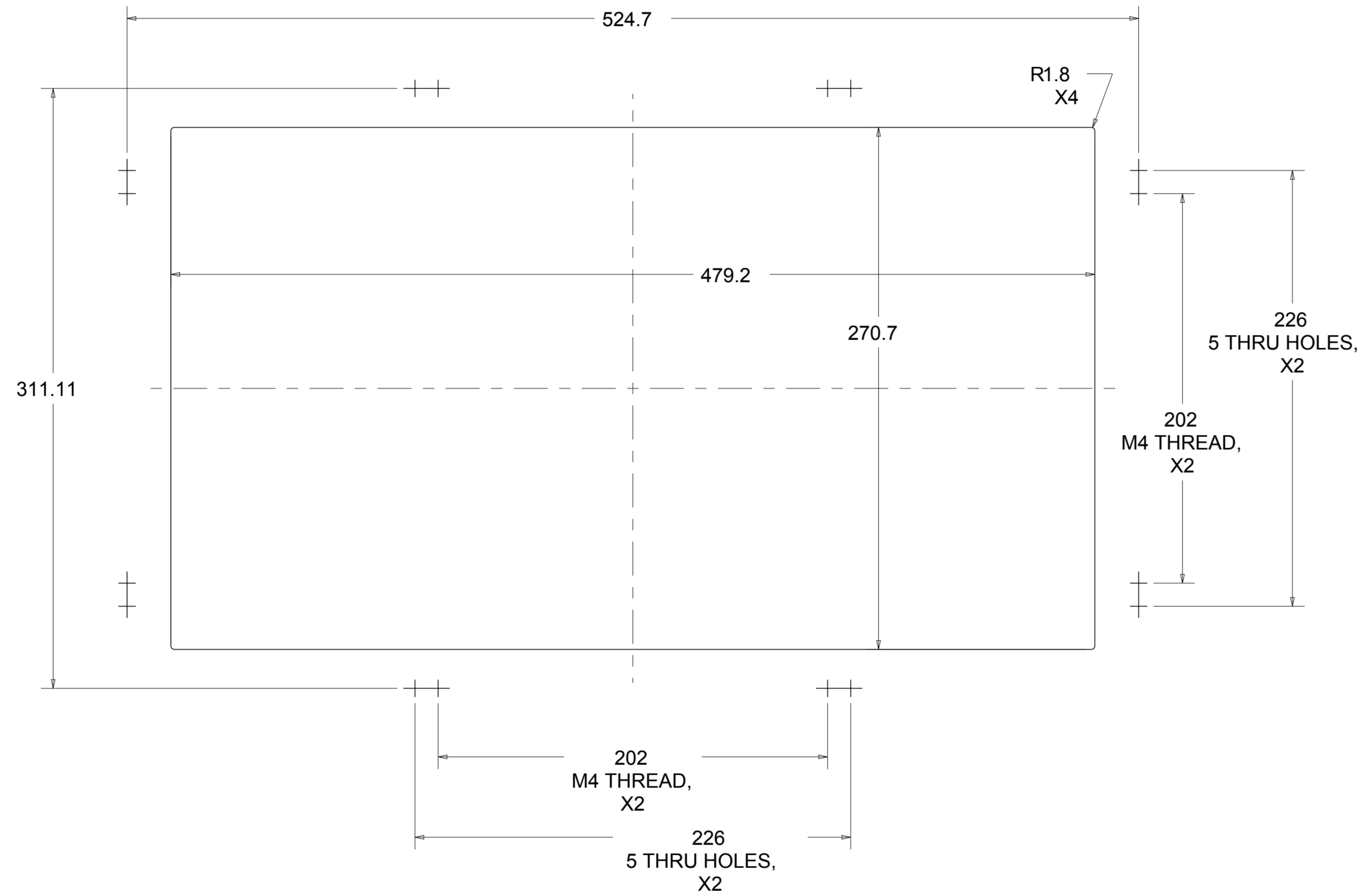


SIDE MOUNT, VERTICAL (LEFT & RIGHT)

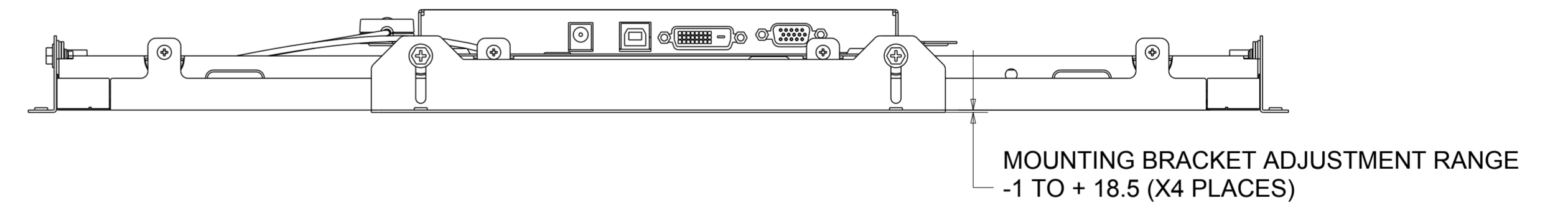
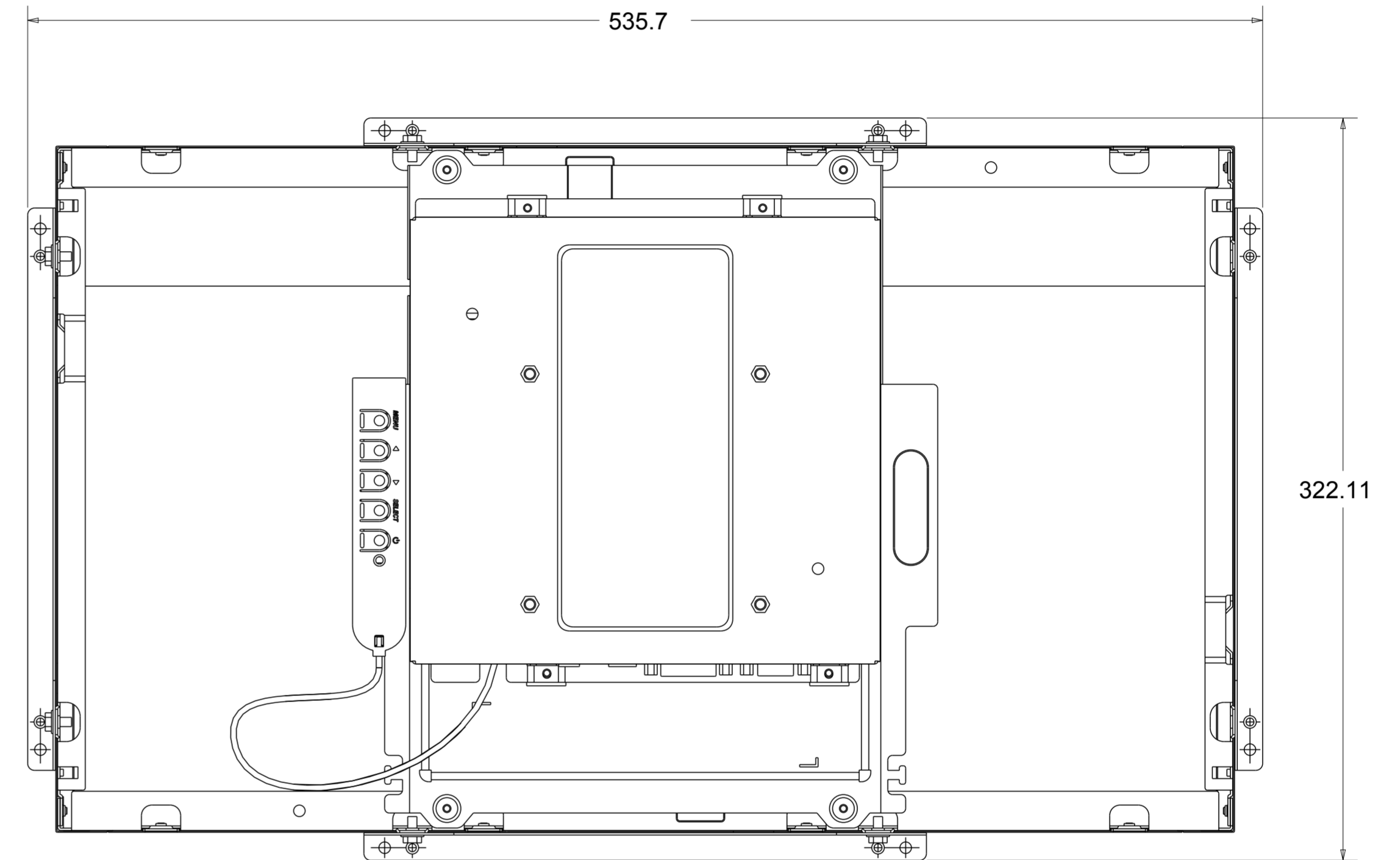


SIDE MOUNT, HORIZONTAL (TOP & BOTTOM)

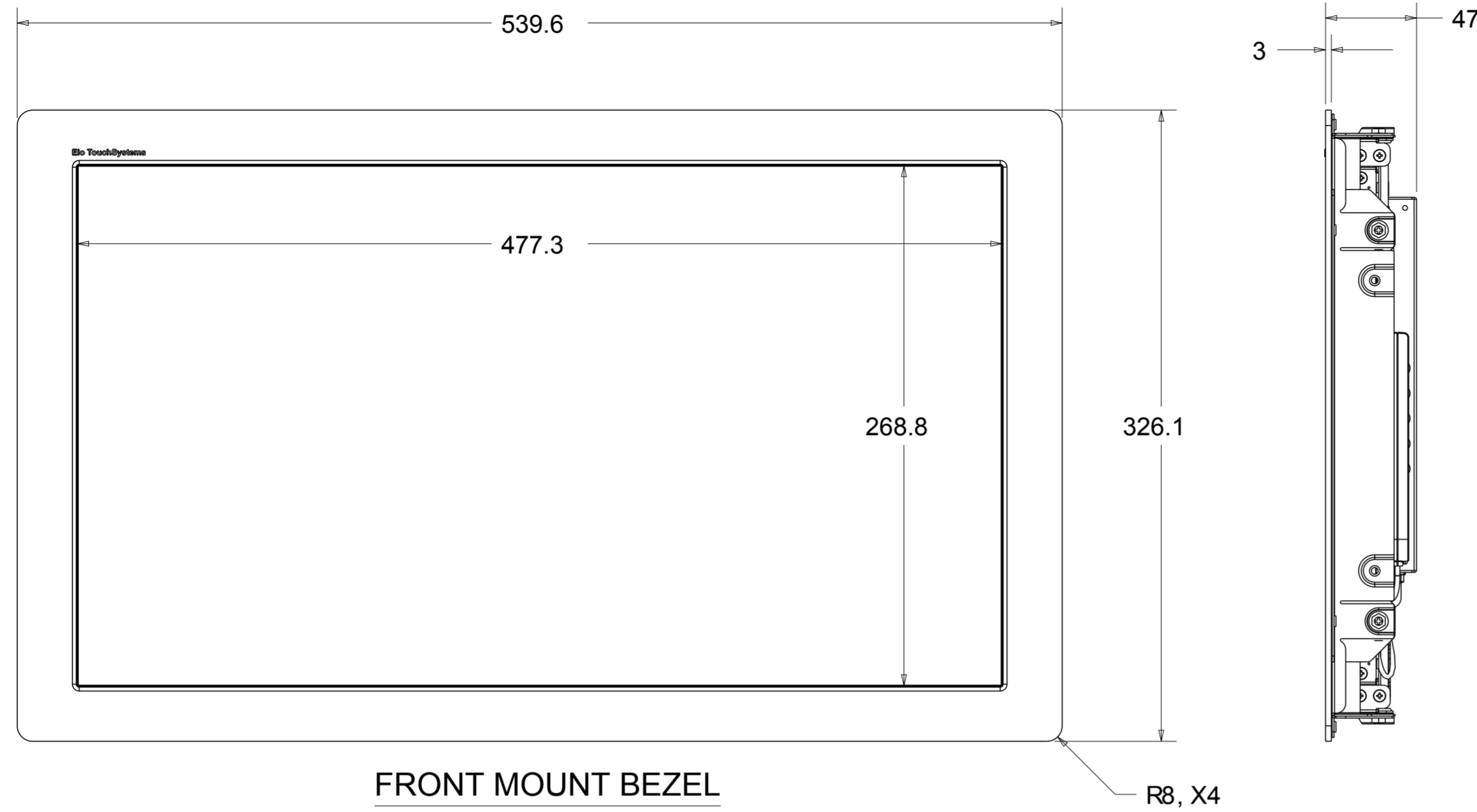
MOUNTING WITH ADJUSTABLE BRACKETS
(4 PROVIDED)



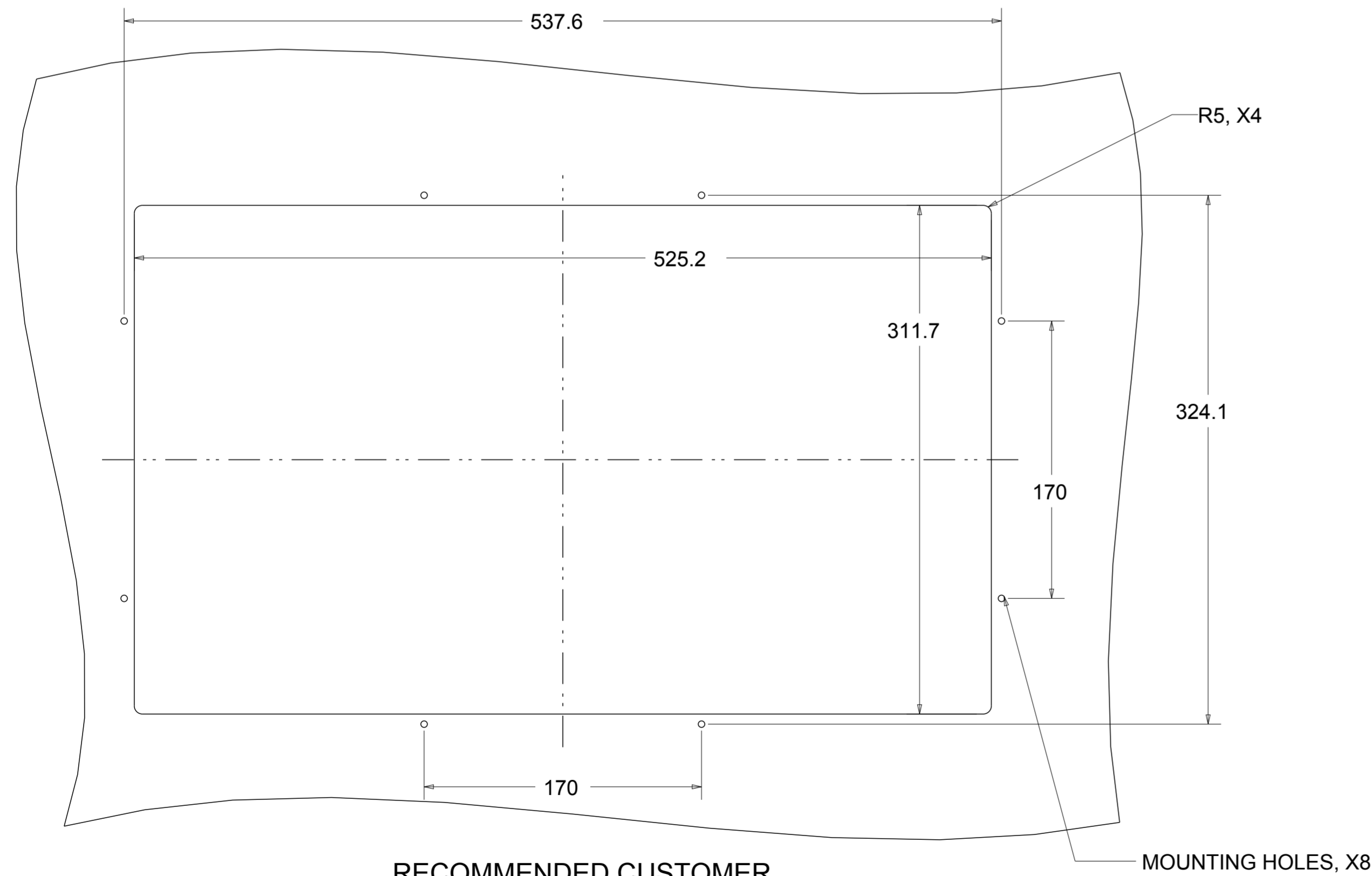
RECOMMENDED CUSTOMER
PANEL CUT-OUT



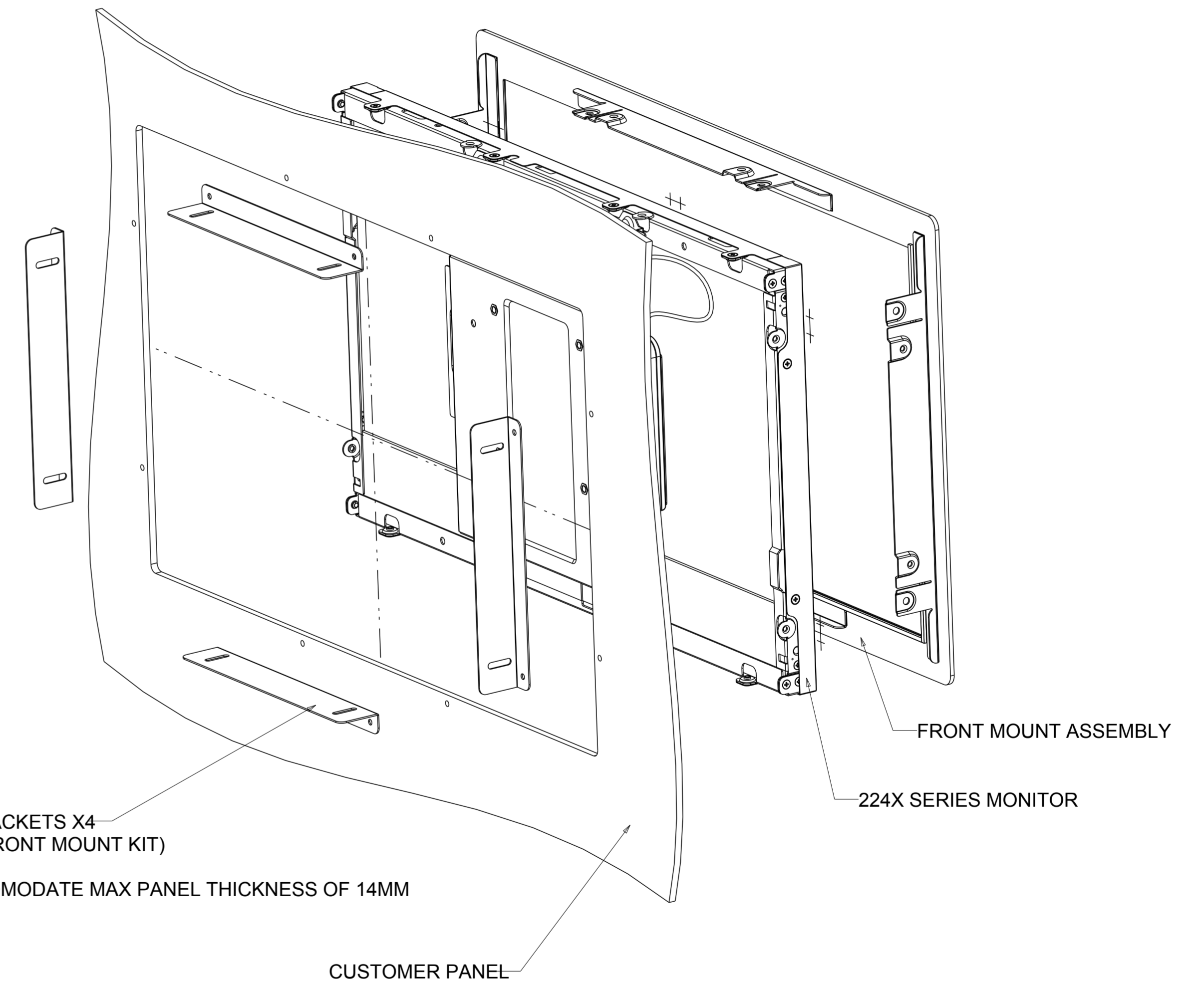
OPTIONAL FRONT MOUNT BEZEL KIT P/N E668194
 ORDERED SEPARATELY, CUSTOMER ASSEMBLED)



FRONT MOUNT BEZEL



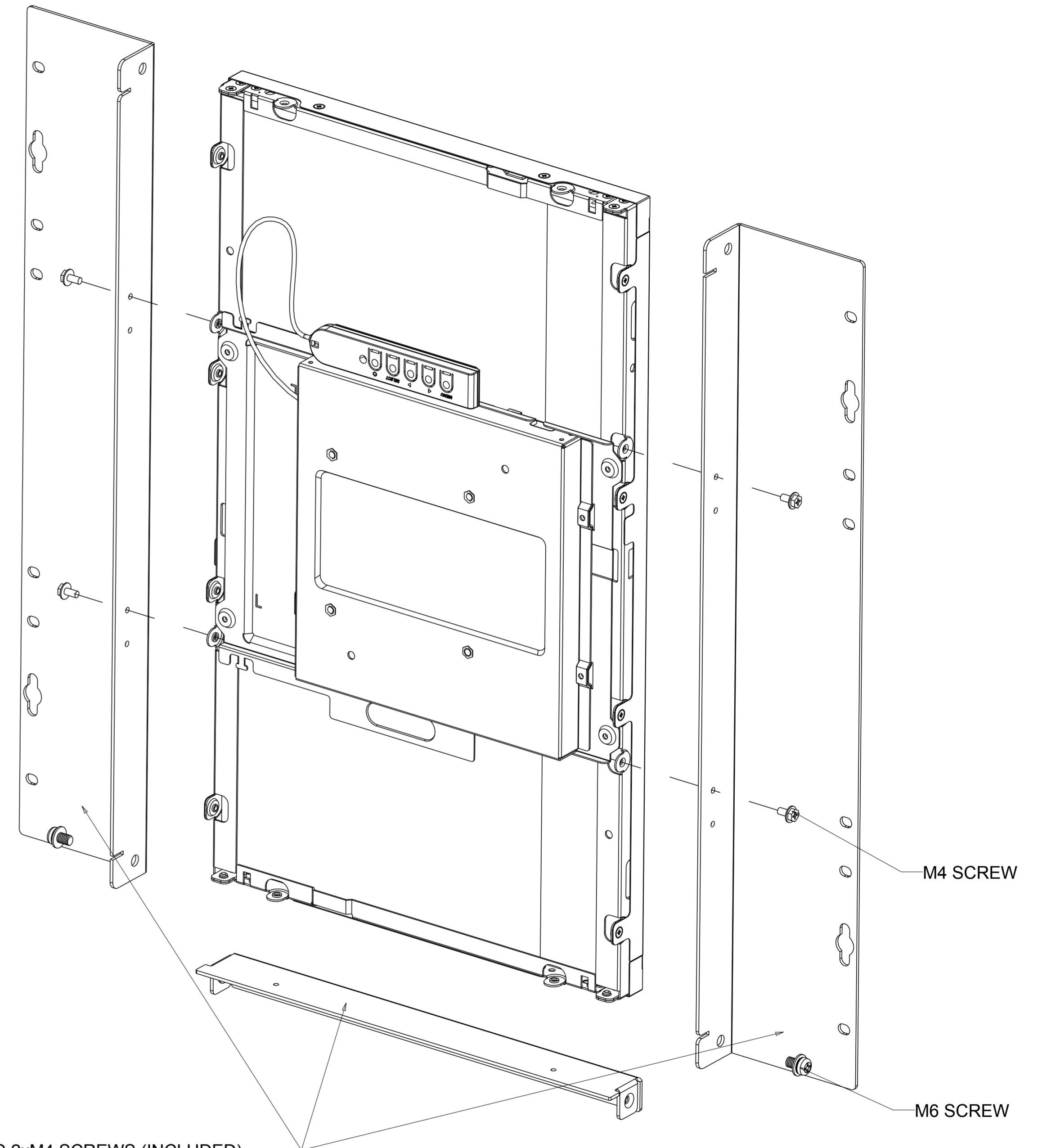
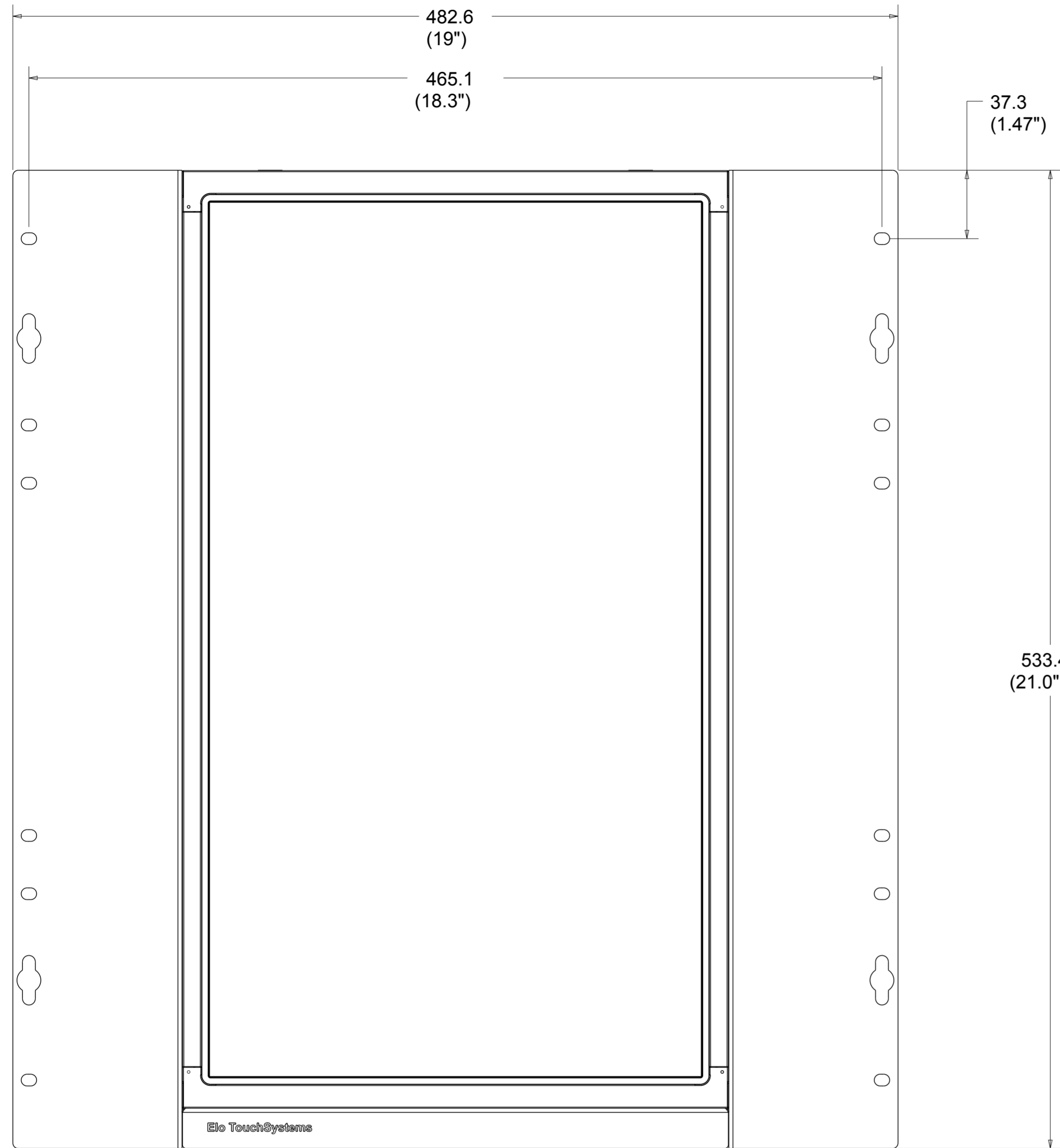
RECOMMENDED CUSTOMER
 PANEL CUT-OUT



1. IF CUSTOMER PANEL IS WOOD,
 Ø 4.5MM THRU HOLES FOR M4 SCREWS
 OR NO THRU HOLES, SCREWS FOR WOOD Ø 4MM
2. IF CUSTOMER PANEL IS SHEET METAL,
 CONCEALED HEAD THREADED STUDS M4 WITH NUTS

DIMENSIONS ARE IN MILLIMETERS

OPTIONAL RACK MOUNT KIT P/N E462672
 ORDERED SEPARATELY, CUSTOMER ASSEMBLED)



NOTE:
 1. MONITOR IS ORIENTED IN PORTRAIT MODE
 2. REQUIRES 12U OF RACK SPACE
 3. MOUNTING HOLES SPACING PER EIA-310-D

1. INSTALL BOTTOM BRACKET FIRST USING 2xM4 SCREWS (INCLUDED)
2. INSTALL SIDE BRACKETS USING M4 AND M6 SCREWS (INCLUDED)